

Technical Information

No. 4954

Edition: 08/05 - subject to change

Substitutes: Edition 01/04

Status: valid

Xenon Short Arc Lamp

XBO[®] 5000 W/HTP OFR

■ Product description

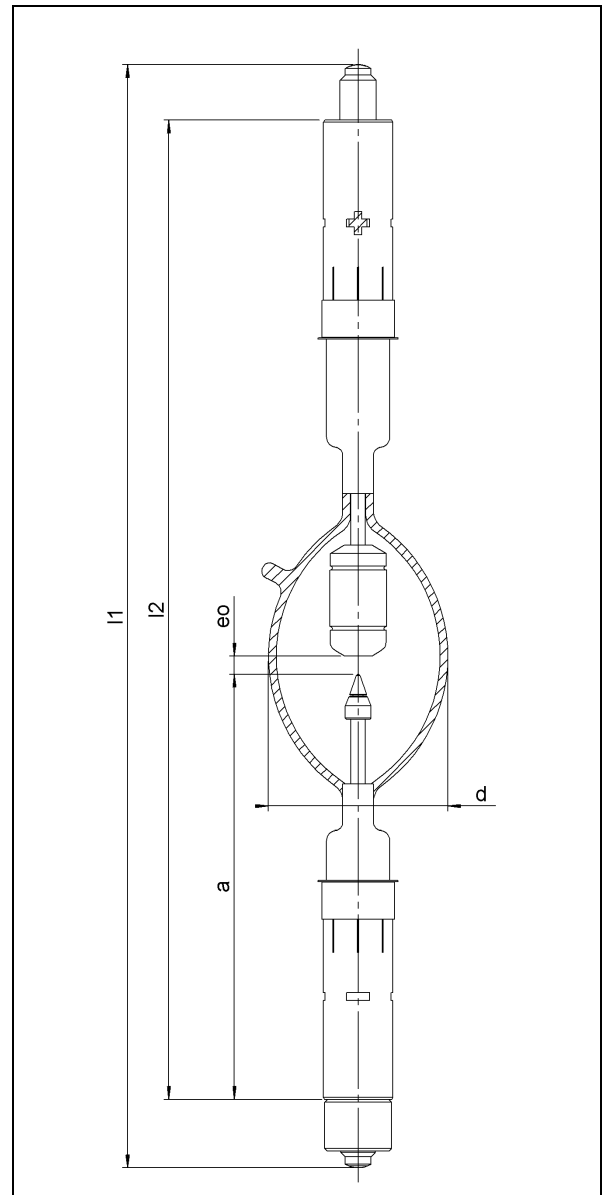
The OSRAM XBO[®] 5000 W/HTP OFR is a DC-operated lamp that is especially suited for applications requiring excellent arc stability and a high luminance. The OSRAM XBO[®] 5000 W/HTP OFR is designed for horizontal burning position (H = horizontal, TP = threaded pin)

■ Technical data

Order reference		XBO [®] 5000 W/HTP OFR
Rated lamp wattage	W	5,000
Rated lamp voltage	V	34
Rated lamp current (=)	A	140
Current control range	A	100 - 150
Ignition voltage	kV _s	36
Min. open circuit voltage for cold / hot ignition	V	85 / 110
Luminous flux	lm	225,000
Luminous intensity	cd	27,000
Average luminance	cd/cm ²	95,000
Luminous area w x h *)	mm	2.2 x 6.5
Electrode gap e (cold)	mm	7.5
Lamp length (overall) L ₁	mm	max. 433
Lamp length L ₂	mm	max. 382
LCL a	mm	165
Bulb diameter d	mm	70
Average service life	h	1500
Warranty	h	1000

Base
Cathode: SFc 27-14
Anode: SFa 27-14

*) w = luminance half width value; h = height of luminance area (corresponds to electrode gap, hot)



■ Lamp operation

Maximum permissible base temperature	°C	230
Cooling		forced cooling / fan
Min. air flow velocity around discharge vessel	m/s	6
Magnetic arc stabilization		necessary for horizontal operation
Burning position		s 15 (vertical ± 15° ; anode up); p 15 (horizontal ± 15°)